



2R-II

**BUILT TO HANDLE THE TOUGHEST
COMMERCIAL & DEMOLITION ROUTES**



- 25 yd³ to 31 yd³ body sizes available
- Up to 1000 lbs/yd³ compaction
- Large 3.5 yd³ hopper
- Largest hopper sweep in the industry with 5.5" packer/carrier cylinders
- Time tested strong square body with ribs

- Commercial and demolition packages available
- No pre-compaction inside the hopper
- Packer/carrier available with rollers or slide shoes
- Low load sill height of 5" below frame
- Fully integrated Labrie CNG system – back of cab mount 50 to 82 DGE available

Body Specifications	2R-II Commercial	2R-II Demolition
Body Trough Floor	5/16" A572 GR50 50,000psi	5/16" A572 GR50 50,000psi
Body Sides	11ga A715 80,000psi	1/4" A36 50,000psi
Body Roof	11ga A715 80,000psi	1/4" A36 50,000psi
Body Ramp Liners	-	1/4" A656 GR80 80,000psi
Body Sides Liners (Body Rear End)	-	10ga A1011 CS

Ejector Specifications	2R-II Commercial	2R-II Demolition
Ejector Panel Face Plate	3/16" A572 GR50 50,000psi	3/16" A572 GR50 50,000psi

Packer-Carrier Specs	2R-II Commercial	2R-II Demolition
Compaction ratio (lbs/yd ³)	1000	1000
Packer Panel Face Plate	1/4" A656 GR80 80,000psi	1/4" A656 GR80 80,000psi, liner 1/4" 50W 50,000psi
Carrier Panel Face Plate	3/16" 50W 50,000psi	3/16" 50W 50,000psi, liner 3/16" 50W 50,000psi

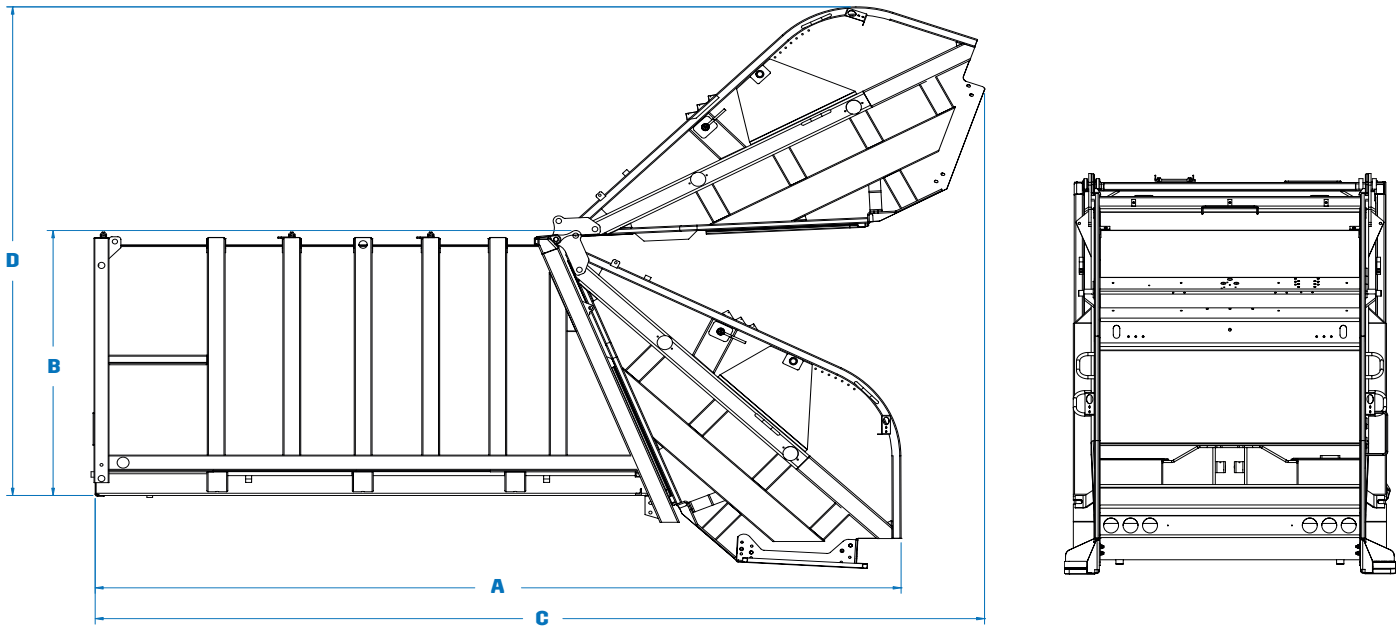
Hydraulic Specifications	2R-II Commercial	2R-II Demolition
Pump	Gear	Gear
Pump Capacity	42 gpm @1200 rpm	42 gpm @1200 rpm
Max. Operating Pressure	2,300 psi	2,300 psi
Oil Reservoir	48 gal	48 gal

Hopper Specs	2R-II Commercial	2R-II Demolition
Hopper Size (yd ³)	3.5	3.5
Hopper Opening Width	80"	80"
Hopper Opening Height	57"	57"
Hopper Depth	16"	16"
Loading Sill Below Chassis Frame	5-3/8"	5-3/8"
Hopper Floor	1/2" 100QT 100,000psi (AR 450, 175,000 psi optional)	1/2" 100QT 100,000psi, front liner 1/4" A514 100,000psi
Hopper Sides (upper)	1/4" 50W 50,000psi (AR 450, 175,000 psi optional)	1/4" 50W 50,000psi
Hopper Sides (lower)	1/4" 50W 50,000psi (AR 450, 175,000 psi optional)	1/2" 50W 50,000psi

Cylinder Specs	2R-II Commercial	2R-II Demolition
Ejector Cylinder (25yd ³ bodies)	3 stages 6-3/4" bore x 101-3/4" stroke	5 stages 9-5/8" bore x 145" stroke
Ejector Cylinder (31yd ³ bodies)	4 stages 6-1/2" bore x 145" stroke	6 stages 9-5/8" bore x 170-1/4" stroke
Packer Cylinders	5-1/2" bore x 4-1/2" rod x 30-5/16" stroke	5-1/2" bore x 4-1/2" rod x 30-5/16" stroke
Carrier Cylinders	5-1/2" bore x 4-1/2" rod x 30-5/16" stroke	5-1/2" bore x 4-1/2" rod x 30-5/16" stroke
Tailgate Cylinders	4" bore x 3-1/2" rod x 32-11/16" stroke	4" bore x 3-1/2" rod x 32-11/16" stroke

Note: Specifications subject to change without notice





Body Dimensions	25yd ³	31yd ³
A. Overall Length, Tailgate Closed (in.)	271	317
Overall Width (in.)	102	102
B. Overall Height Above Frame, Tailgate Closed (in.)	94	94
C. Overall Length, Tailgate Open (in.)	298	345
D. Overall Height Above Frame, Tailgate Open (in.)	178	178

Performance Specifications	2R-II Commercial	2R-II Demolition
Packer/Carrier Cycle Time	23-26 sec	23-26 sec
Tailgate Open	10 sec @ 700 rpm	10 sec @ 700 rpm
Tailgate Close (with Safety Flow limiter)	30 sec @ 700 rpm	30 sec @ 700 rpm



DRIVE EXCELLENCE

